

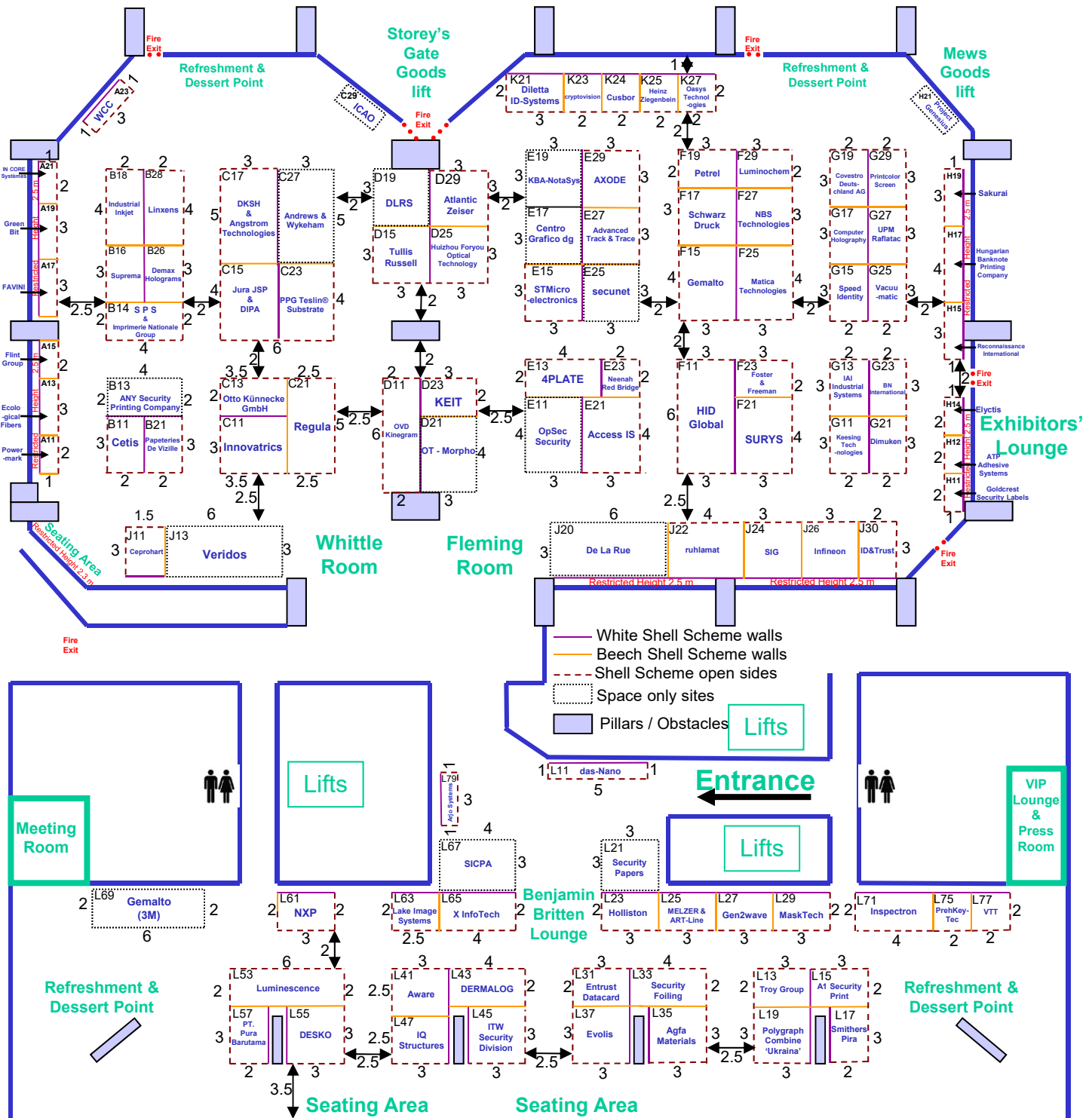


**SDW
2017**

OEI CENTRE, WESTMINSTER, LONDON, UK

CONFERENCE: 26-28 JUNE 2017 • EXHIBITION: 27-28 JUNE, 2017

Exhibition Floor Plan – 3rd Floor



This plan is intended for guidance only and does not form any contract, representation or warranty, expressed or implied

Layout subject to alteration at the discretion of The Organiser

All dimensions in metres. Scale 1:300. Note 1m = 3ft. 3.37 ins.

Exhibition Enquiries: Janine Bill, Science Media Partners Ltd, 25 Horseshoe Park, Horseshoe Road, Pangbourne, Reading, RG8 7JW UK
Tel: +44 (0) 1189 843209; Fax: +44 (0) 2920 946850; Email: j.bill@sciencemediapartners.com

5th June 2017